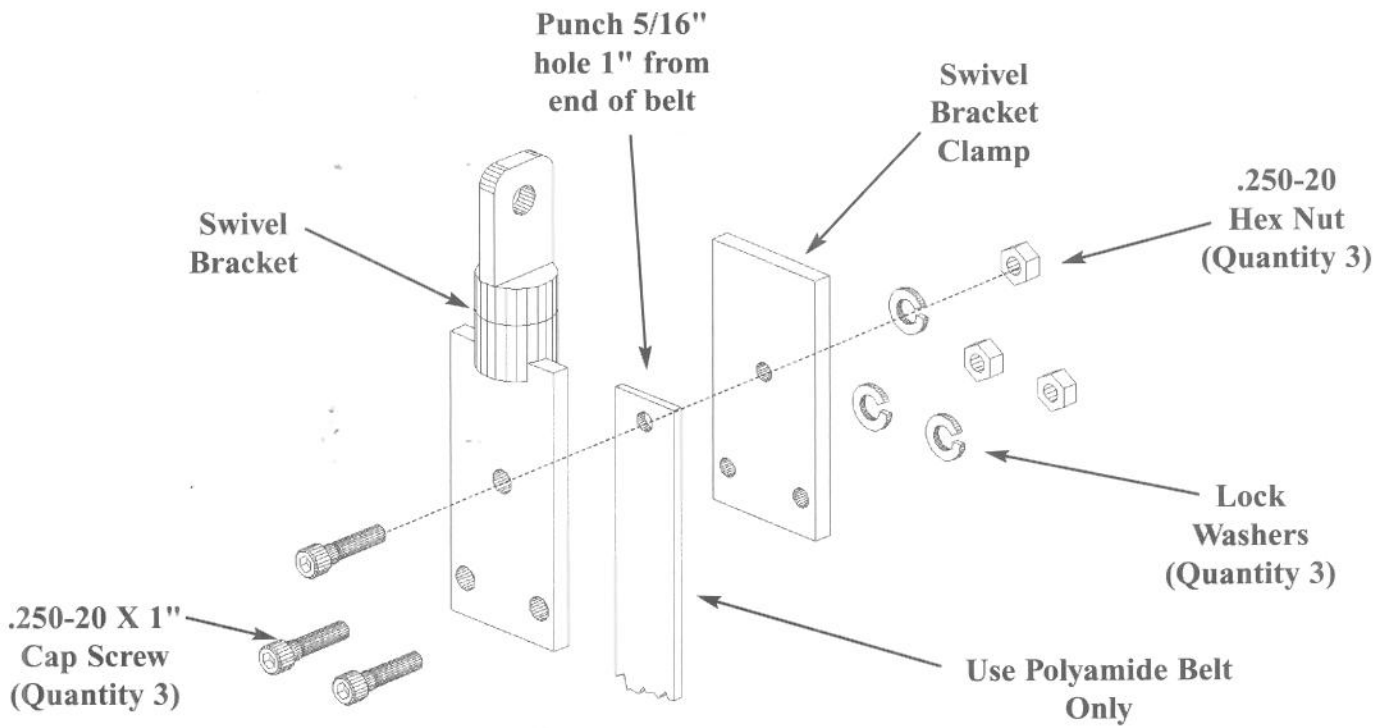
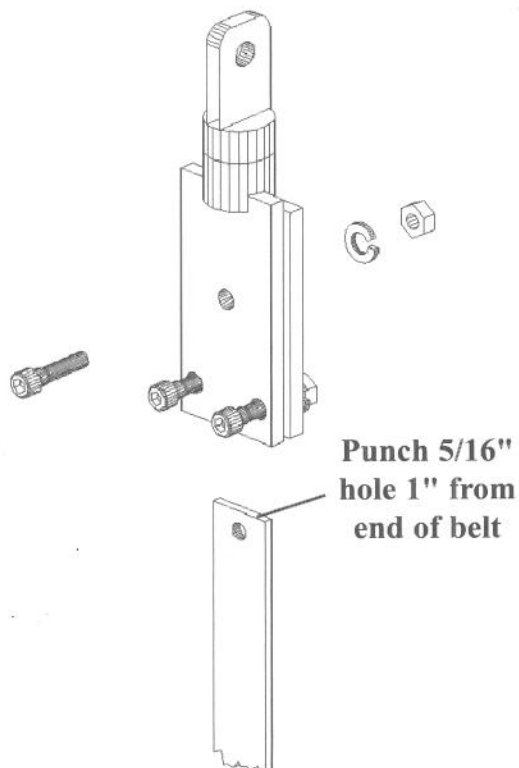


PROPER BELT INSTALLATION INTO SWIVEL BRACKETS

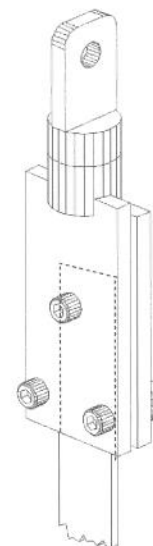
3 Hole Swivel Bracket Belt Assembly



Step 1



Step 2



- * Check to insure proper belt alignment
- * Check to insure belt bracket is securely tightened